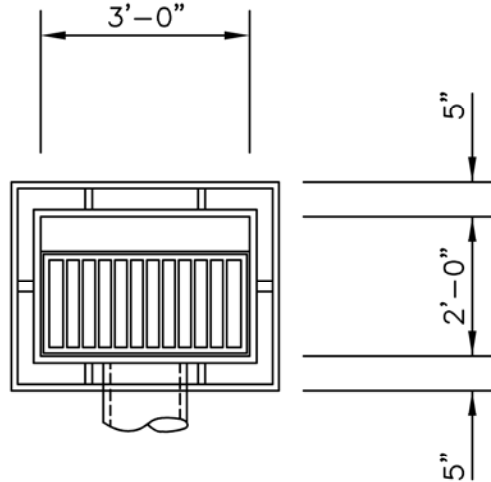
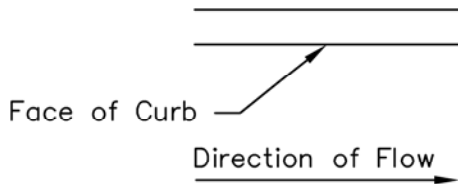
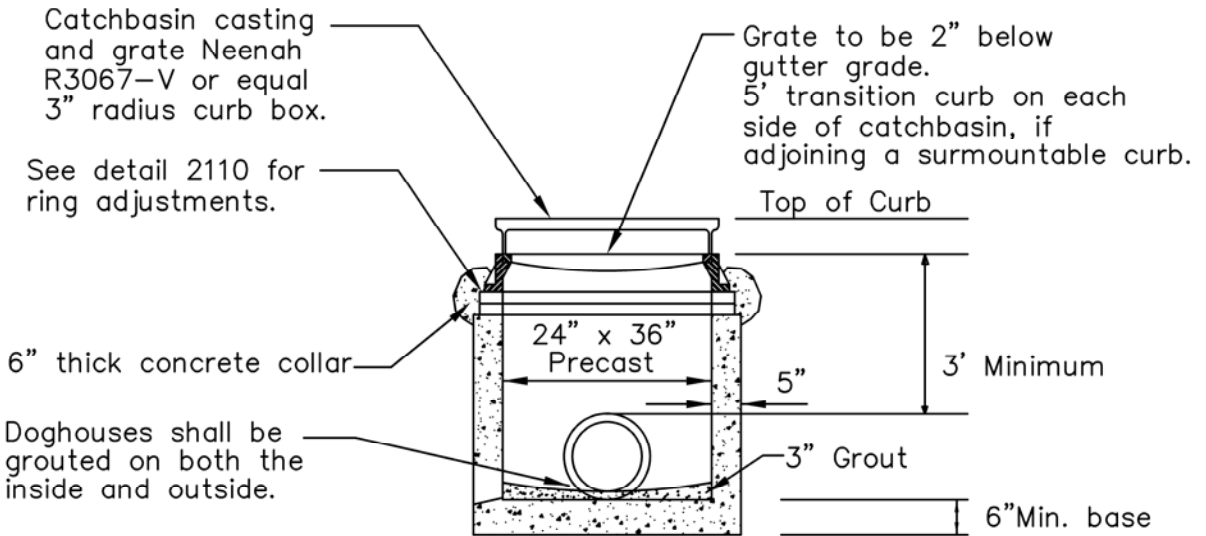


NOTE:

- 1- V Grate (Shown)
- 2- VB Grate shall be used at all low points.



PLAN



SECTION

NOTES:

- 1. Steps shall be provided in all catch basin/manholes and storm sewer manholes.
- 2. Casting to be totally encased in concrete curb section.
- 3. No block structures are allowed.



**CITY OF
CHANHASSEN**

STORM SEWER CATCH BASIN
2' X 3' RECTANGULAR

REVISED: 10-16

FILE NAME: G:\ENG\SPECS\3101

ENGINEERING DEPARTMENT

PLATE NO.:

3101