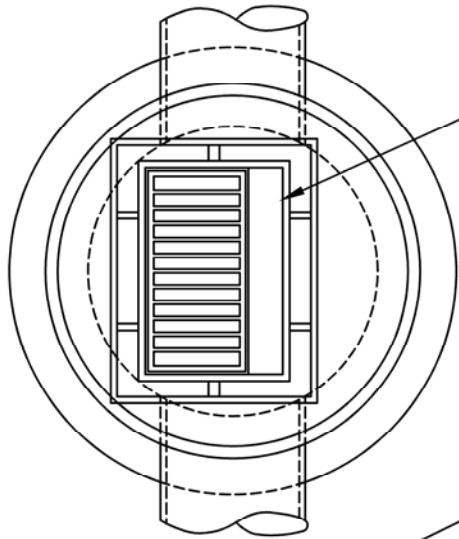


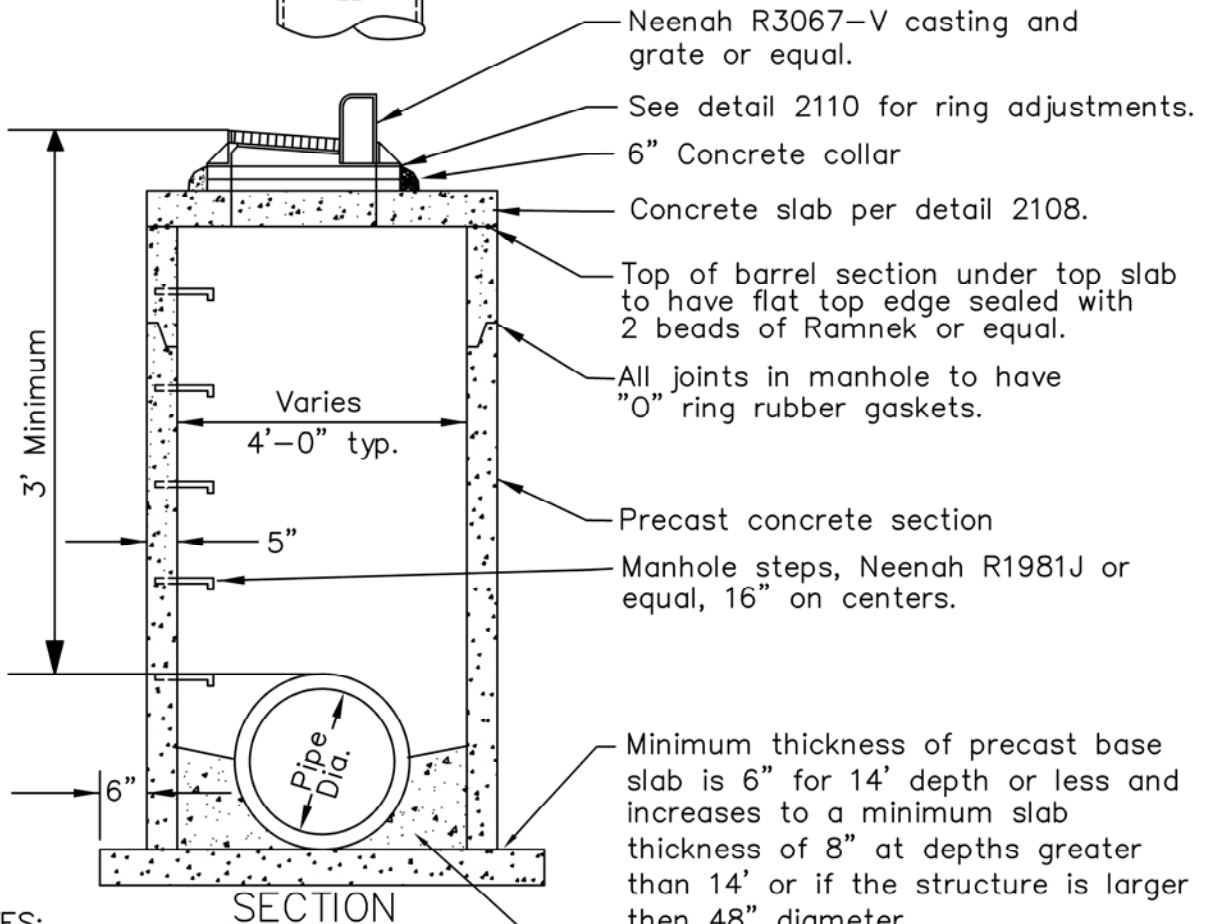
PLAN



24"x36" slab opening for Neenah R3067-V or equal

Note:

- 1- V Grate shown
- 2- VB Grates shall be used at all low points.



- Neenah R3067-V casting and grate or equal.
- See detail 2110 for ring adjustments.
- 6" Concrete collar
- Concrete slab per detail 2108.
- Top of barrel section under top slab to have flat top edge sealed with 2 beads of Ramnek or equal.
- All joints in manhole to have "O" ring rubber gaskets.
- Precast concrete section
- Manhole steps, Neenah R1981J or equal, 16" on centers.
- Minimum thickness of precast base slab is 6" for 14' depth or less and increases to a minimum slab thickness of 8" at depths greater than 14' or if the structure is larger than 48" diameter.
- Grout bottom of manhole to 1/2 diameter at pipe and slope grout 2" toward invert.

NOTES:

- 1. Doghouses shall be grouted both inside and outside of the structure.
- 2. No block structures are allowed.
- 3. If a sump is required a minimum sump depth of 4' shall be constructed below the lowest pipe invert in the structure.

SECTION



CITY OF CHANHASSEN

TYPICAL 4' DIAMETER CATCH BASIN MANHOLE

REVISED: 10-16

FILE NAME: G:\ENG\SPCS\3102

ENGINEERING DEPARTMENT

PLATE NO.:

3102