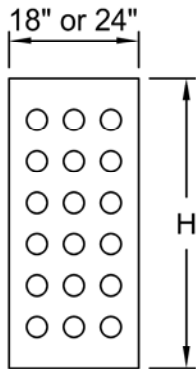


d (IN.)	H (IN.)	Θ (DEG.)		y (IN.)	D VARIES
		MIN.	MAX.		
12	34	130	230	12	
15	34	130	230	12	
18	34	130	230	12	
21	44	140	220	12	
24	44	140	220	12	
27	44	140	220	12	
30	54	150	210	12	
36	54	150	210	12	

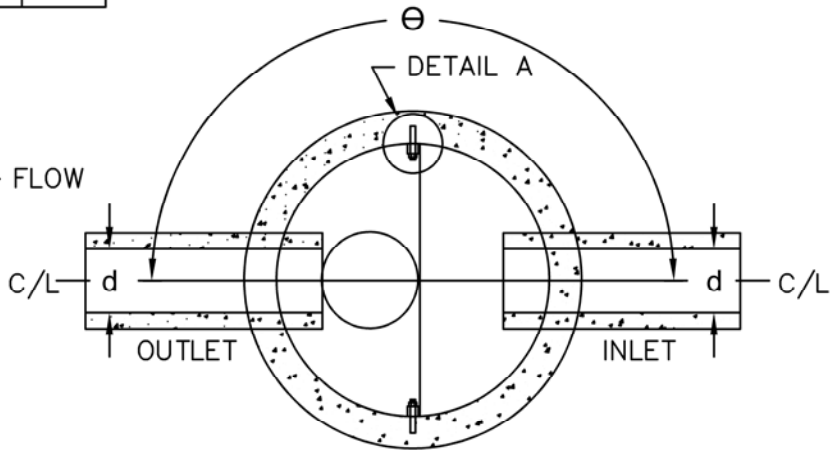


FRONT

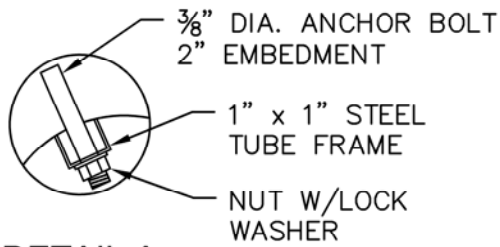
BAFFLE PANEL



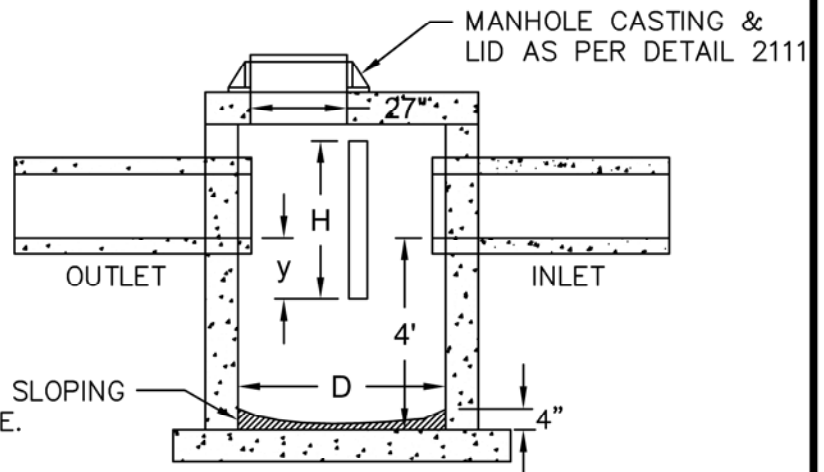
SIDE



TOP VIEW OF SUMP



DETAIL A



SIDE VIEW OF SUMP

4" THICK POURED INVERT SLOPING TO CENTER OF STRUCTURE.

This generic detail does not encompass the sizing, fit, and applicability of the Baffle for this specific project. It is the ultimate responsibility of the design engineer to assure that the design is in compliance with all applicable laws and regulations.



**CITY OF
CHANHASSEN**

**BAFFLE STRUCTURE
STANDARD SUMP MANHOLE W/BAFFLE**

REVISED: 12-19

FILE NAME: G:\ENG\SPECS\3110

ENGINEERING DEPARTMENT

PLATE NO.:

3110