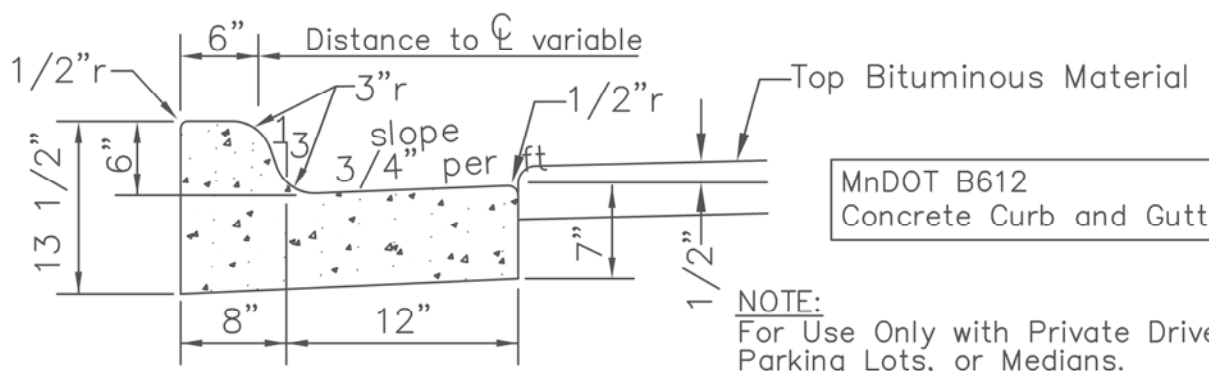
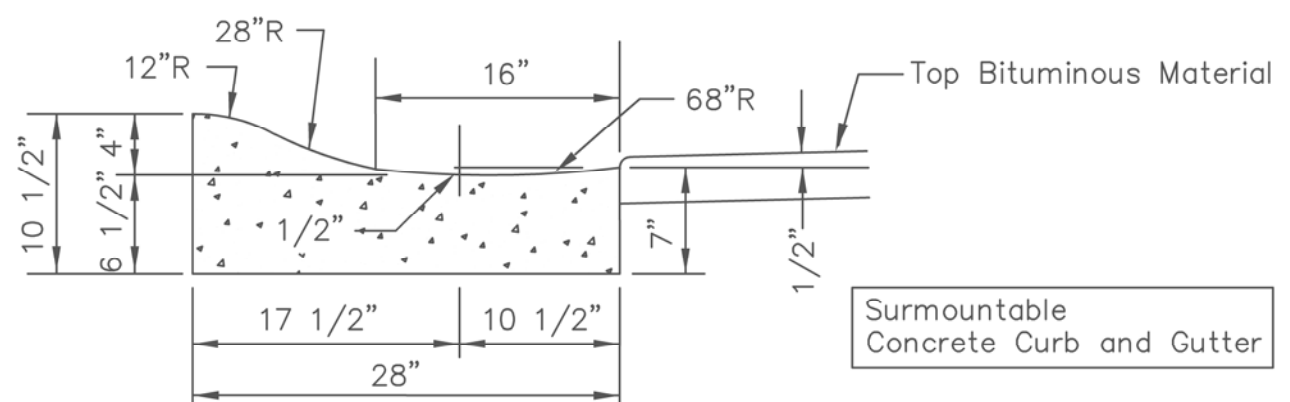


MnDOT B618
Concrete Curb and Gutter

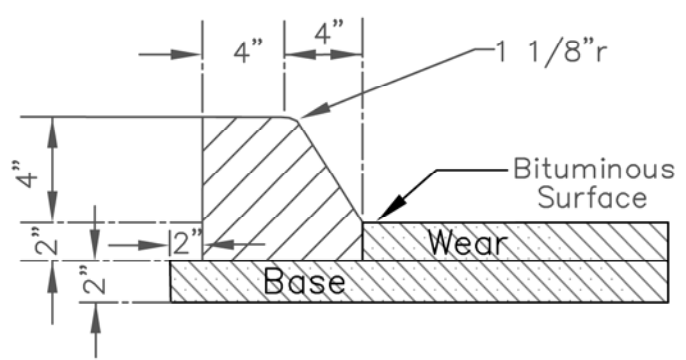


MnDOT B612
Concrete Curb and Gutter

NOTE:
For Use Only with Private Driveways,
Parking Lots, or Medians.



Surmountable
Concrete Curb and Gutter



Bituminous Curb
4" Shoe Formed



TYPICAL CURB
AND GUTTER