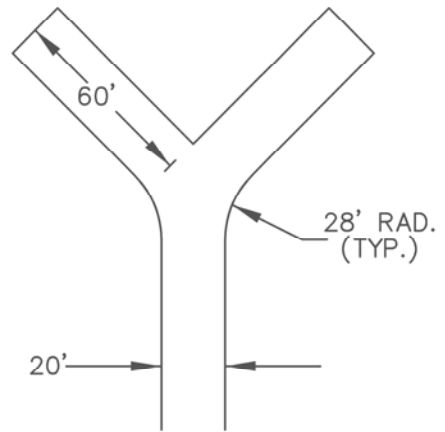
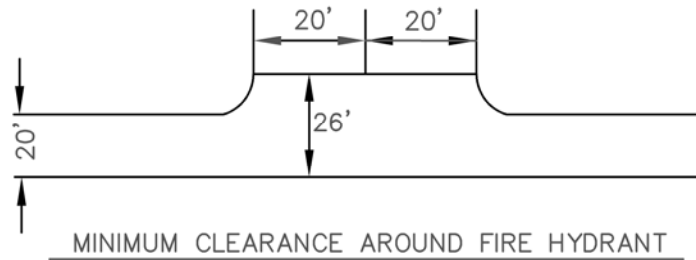


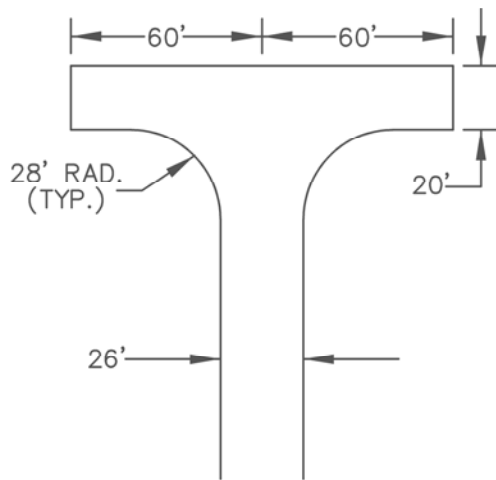
96' DIAMETER CUL-DE-SAC



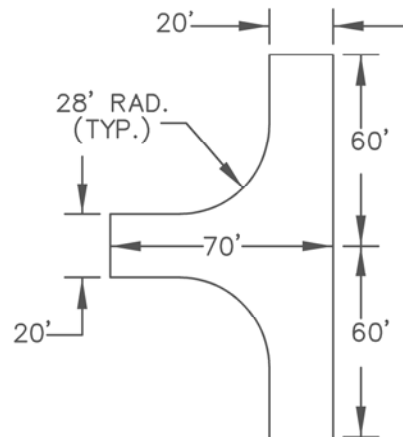
60' "Y"



MINIMUM CLEARANCE AROUND FIRE HYDRANT



120' HAMMERHEAD



ACCEPTABLE ALTERNATIVE TO 120' HAMMERHEAD



**CITY OF
CHANHASSEN**

TURNAROUND REQUIREMENTS
FOR DEAD-END FIRE APPARATUS
ACCESS ROADS (FIRE LANES)

REVISED: 12-19

FILE NAME: G:\ENG\SPECS\5205A

ENGINEERING DEPARTMENT

PLATE NO.:

5205A