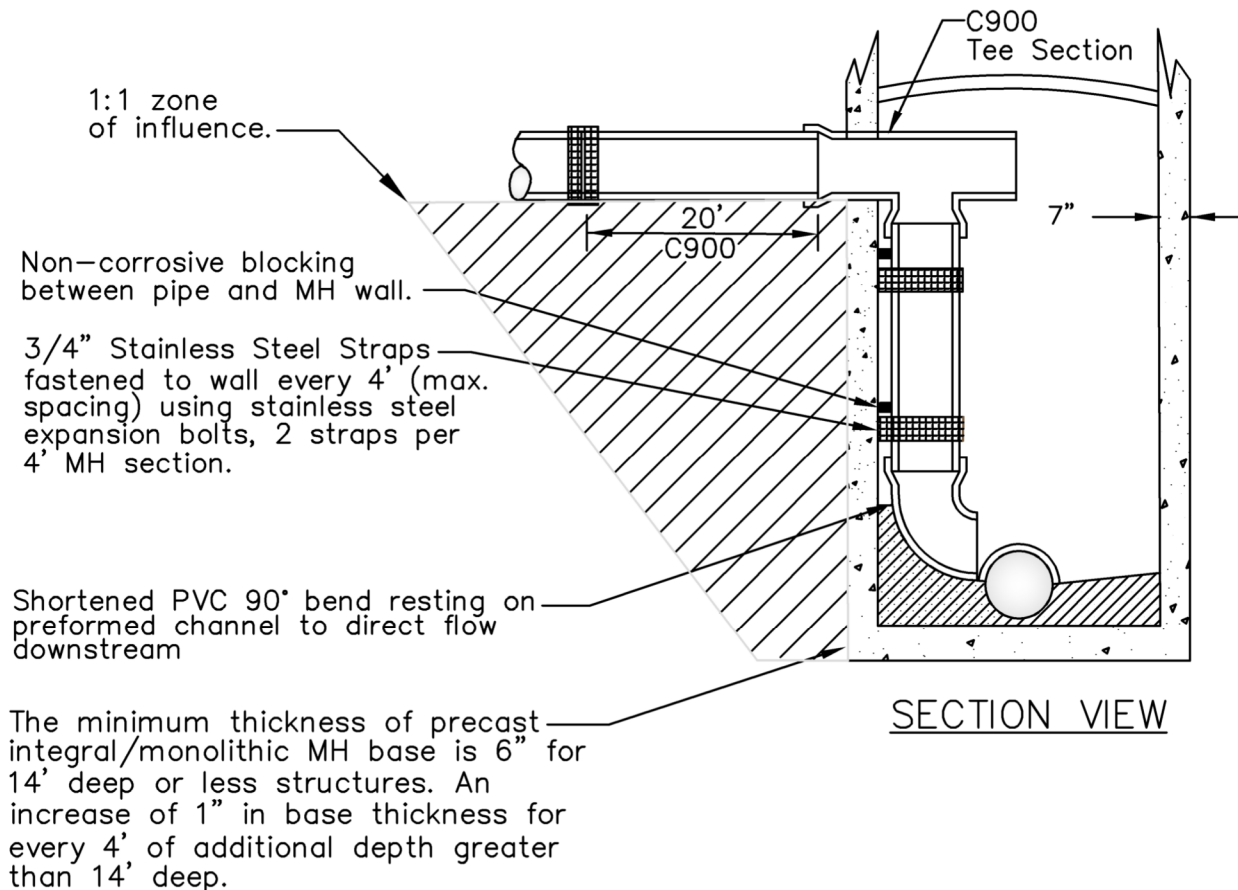


NOTES:

1. Kor-n-seal manhole with booted connections or approved equal.
2. Pipe shall be cut flush with the inside face of the MH wall.
3. All dog houses shall be grouted on the inside.
4. Precast invert shall be 1/2 the diameter of the pipe and the benches sloped 2" inward toward the invert.
5. When the manhole or catchbasin is constructed outside the traveled roadway a witness post and sign shall be installed next to the manhole.
6. No steps shall be installed.
7. Inside drop manholes shall be a minimum diameter of 60".
7. Build is only to be used when between 20"-36", see detail 2104 and 2104A for all other heights.
7. Zone of influence area compacted to 100% standard proctor density using suitable native soils or imported granular materials.



**CITY OF  
CHANHASSEN**

SANITARY SEWER INSIDE  
DROP MANHOLE (20"-36")

REVISED: 1-21

FILE NAME: G:\ENG\SPECS\2104B

ENGINEERING DEPARTMENT

PLATE NO.:

2104B