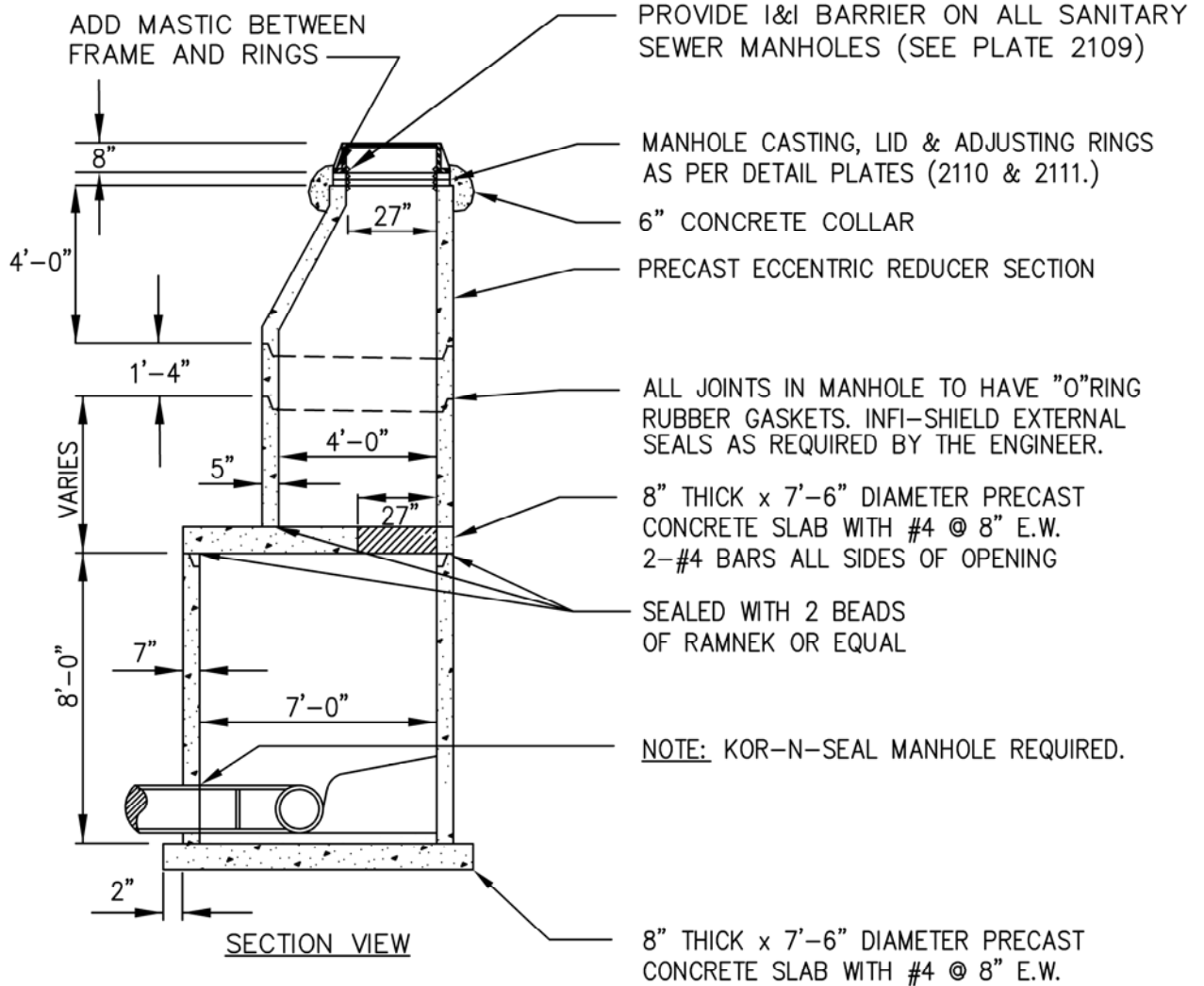


PLAN VIEW



NOTES:

1. WALLS TO BE CONSTRUCTED OF PRECAST SECTIONS.
2. WHEN THE MANHOLE OR CATCH BASIN STRUCTURE IS CONSTRUCTED OUTSIDE THE TRAVELED ROADWAY A WITNESS POST AND SIGN SHALL BE INSTALLED NEXT TO THE MANHOLE.



**CITY OF
CHANHASSEN**

TOP SLAB MANHOLE
48" DIA. SECTION

REVISED: 10-16

FILE NAME: G:\ENG\SPECS\2107

ENGINEERING DEPARTMENT

PLATE NO.:

2107