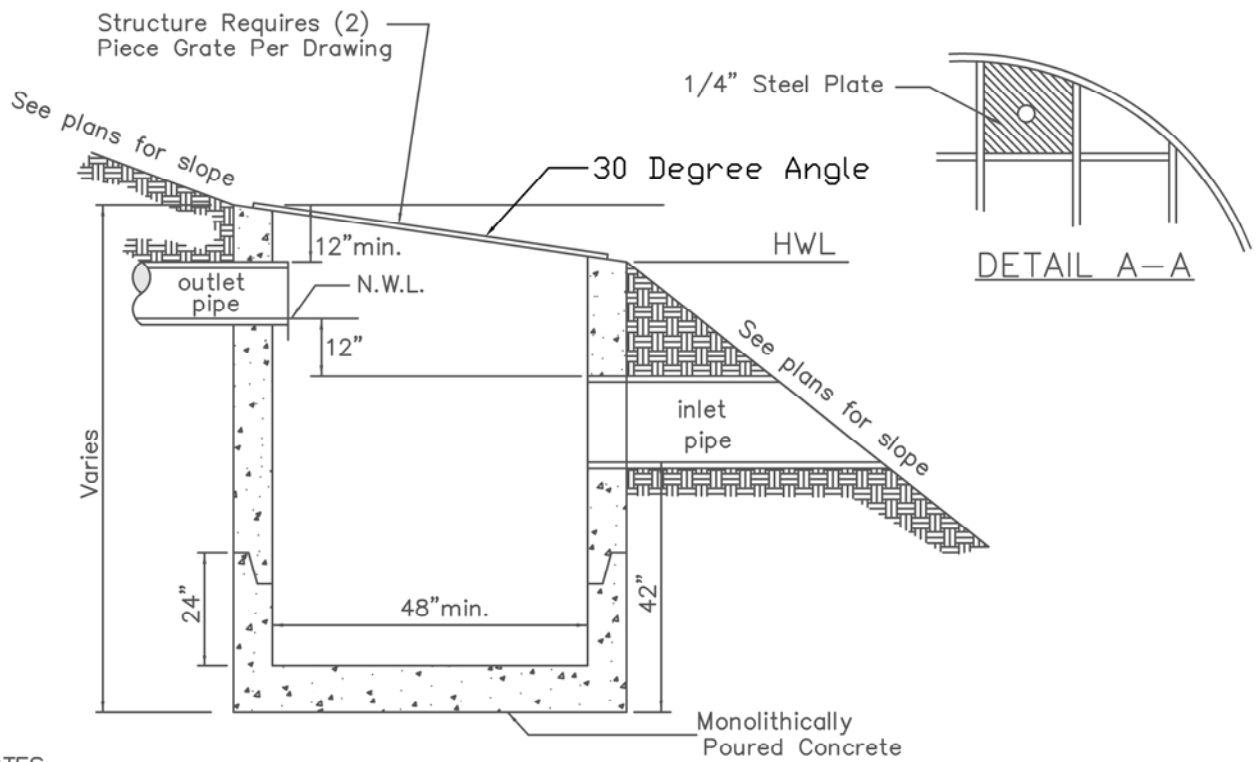
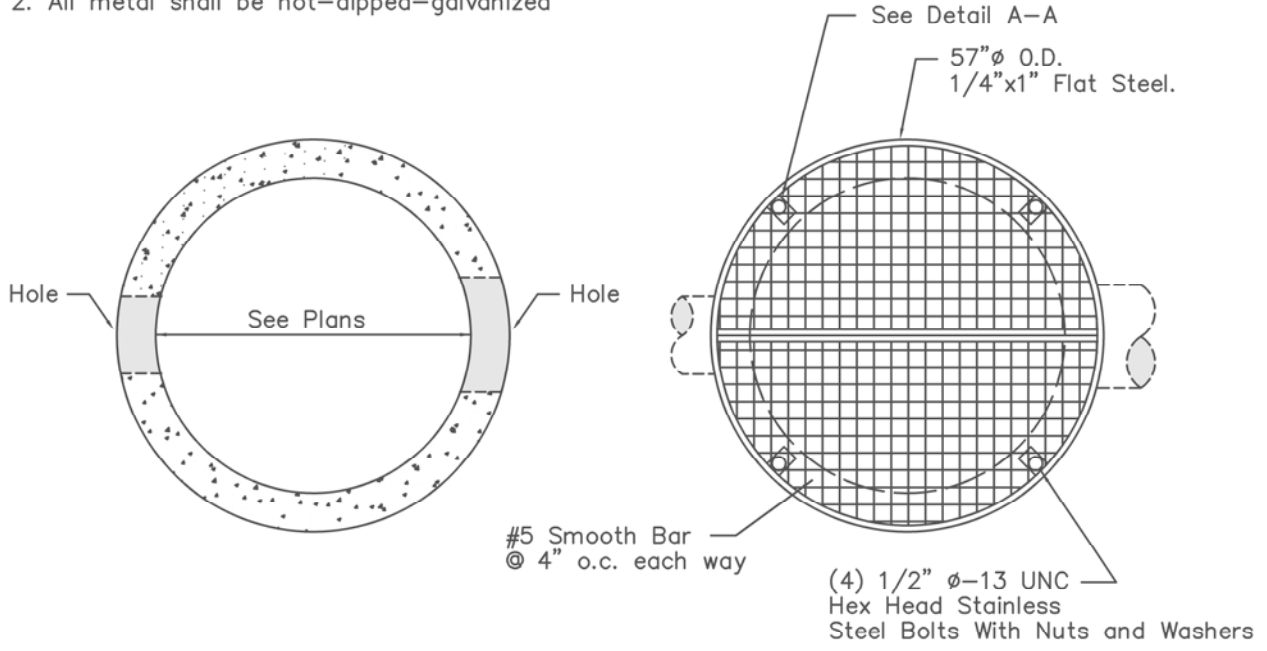


NOTES:

1. Grates to be made in (2) pieces
2. All metal shall be hot-dipped-galvanized



NOTES:

1. Standard pipe bedding required on both inlet & outlet pipes.
2. Tie last three joints. Use two tie bolt fasteners per joint.



**CITY OF
CHANHASSEN**

POND OUTLET
CONTROL STRUCTURE

REVISED:3-19

FILE NAME: G:\ENG\SPCS\3109

ENGINEERING DEPARTMENT

PLATE NO.:

3109