

1. FORM A DOUBLE-LAYERED CYLINDER USING 0.25" GRID OVERLAP TO THE END OF MESH (KAWNEER CLOTH).

2. STAKE INTO THE GROUND 7' FROM THE CENTER OF THE STAKE STYL.

3. SECURE THE MESH CYLINDER TO THE OUTSIDE OF THE STAKE USING EITHER STAPLES AND WASHERS OR ANCHOR-LONGING THE CYLINDER TO THE STAKE.

4. STAPLES SHALL BE ROUND HEAD GALVANIZED 1/8" DIA. x 3/2" LONG WITH WASHERS.

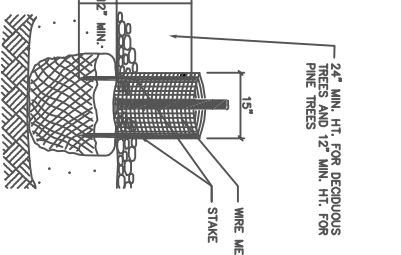
OR
 *ANCHOR-LOCK TIES SHALL BE NYLON AND AT LEAST 8" LONG.

5. FINISH THE LOWER EDGE OF THE MESH CYLINDER 1" BELOW THE SOIL SURFACE WITHOUT DISTURBING THE TREE ROOTS.

6. SCUT EDGES WILL NOT BE PERMITTED AT THE TOP OF THE CYLINDER. CUT THE STAKE FLUSH WITH THE TOP OF THE CYLINDER.

7. MESH WITHIN THE CYLINDER SHALL NOT EXCEED 3" REMOVED TO PERMIT INSTALLATION OF 12" MIN. HEIGHT RODENT GUARDS.

8. INSTALL ON ALL DECIDUOUS AND PINE TREES. DO NOT INSTALL ON SPRUCE TREES.



1. FORM OVER THE TOP EDGE OF THE HOPE USING 1/4" GALVANIZED WIRE AND 12" MIN. HT. FOR DECIDUOUS TREES AND 12" MIN. HT. FOR PINE TREES.

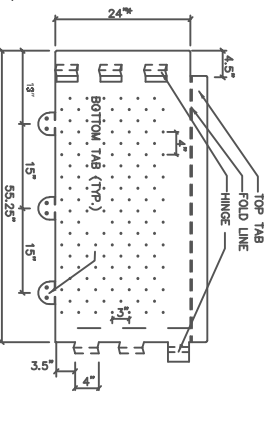
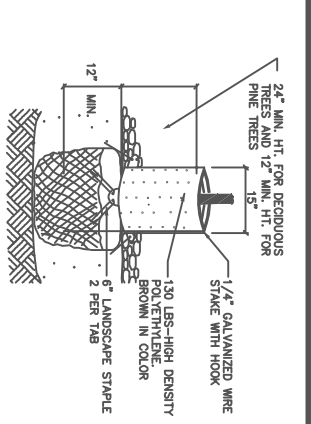
2. STAKE THE HOPE INTO A GROVE OF THE STAKE TIES ON THE OUTSIDE OF THE CIRCLE.

3. STAKE THE HOPE AND BEAM STAKE (WITH HOOK) THROUGH THE HOPE AND THROUGH THE HOPE AT ALL OF THE HINGES. TURN THE HOOK TOWARDS THE INSIDE OF THE HOPE.

4. FINISH THE STAKE INTO THE GROUND, A MINIMUM OF 12" ABOVE SIX LANDSCAPE STAPLES (2 PER TAB AT OPPOSITE ANGLES TO SECURE THE HOPE TO THE GROUND).

5. MESH WITHIN THE CYLINDER SHALL NOT EXCEED 3" DEPTH AND SHALL BE SLOTTED BACK FROM THE TRUNK AS SPECIFIED IN MESH FLASHEMENT DETAIL.

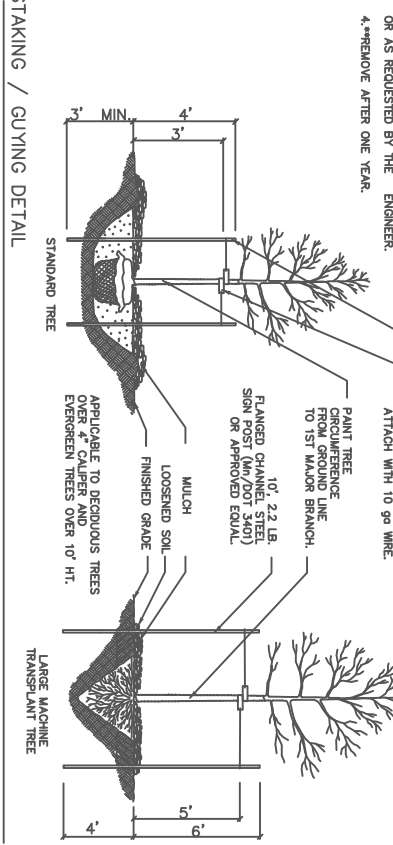
6. INSTALL THE CYLINDER ON ALL DECIDUOUS AND PINE TREES. DO NOT INSTALL ON SPRUCE TREES.



* 24" SIZE FOR DECIDUOUS TREES
 * 12" SIZE FOR CONIFEROUS TREES.

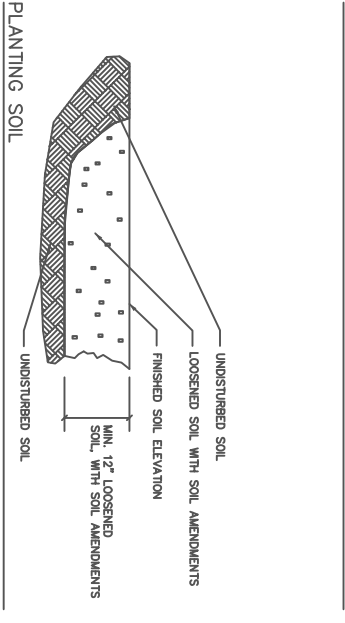
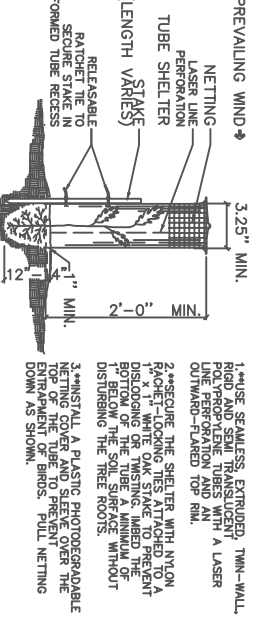
RODENT PROTECTION DETAIL (OPTION 2)

NOTES:
 1. STEEL POSTS TO BE NOTCHED OR DRILLED TO RETAIN GUY WIRE. PLACE OUTSIDE OF ROOT BALL. DRIVE FLUNG REGARDLESS OF GROUND SLOPE.
 2. REQUESTS TO SUBSTITUTE RUBBER HOSE AND WIRE GUARD SYSTEMS WILL NOT BE APPROVED.
 3. TREE STAKING IS NOT REQUIRED UNLESS TREE IS IN A PLUMB CONDITION WHERE VANDALISM, SOIL OR WIND CONDITIONS ARE A PROBLEM, OR AS REQUESTED BY THE ENGINEER.
 4. REMOVE AFTER ONE YEAR.



STAKING / GUYING DETAIL

SEEDLING TREE SHELTER DETAIL



PLANTING SOIL

GENERAL NOTES

SEE SPECIAL PROVISIONS FOR SPECIFIC PROJECT REQUIREMENTS.

THE PLANTING DETAILS REPRESENT ADEQUATELY DRAINED SOIL CONDITIONS. THE CONTRACTOR SHOULD EXERCISE DISCRETION IN SETTING PLANTS 3" HIGHER IN POCKET, DRAINED SOILS OR USING ALTERNATIVE PLANTING METHODS ON SHEET B.

THE CONTRACTOR IS RESPONSIBLE FOR PROVIDING ADEQUATE DRAINAGE IN HEAVY POCKETS, DRAINED OR IMPERVIOUS SOILS.

LOOSEN ALL ISOLATED TREE PLANTING LOCATIONS AND PLANTING BEDS TO A MINIMUM DEPTH OF 12". SOIL AMENDMENTS SHALL BE APPLIED DURING CULTIVATION.

USE CULTIVATED AND AMENDED SOIL EXCAVATED FROM PLANTING HOLES. REMOVE ALL DEBRIS INCLUDING ROCKS LARGER THAN 3" DIAMETER.

COMPOST
 M/DOT 3890

FERTILIZER
 M/DOT 3881

BAGFILL SOIL
 REMOVE ALL DEBRIS INCLUDING ROCKS LARGER THAN 3" DIAMETER.

PLANTING HOLE AND BED CULTIVATION
 LOOSEN ALL ISOLATED TREE PLANTING LOCATIONS AND PLANTING BEDS TO A MINIMUM DEPTH OF 12". SOIL AMENDMENTS SHALL BE APPLIED DURING CULTIVATION.

COMPOST
 M/DOT 3890

FERTILIZER
 M/DOT 3881

BAGFILL SOIL
 REMOVE ALL DEBRIS INCLUDING ROCKS LARGER THAN 3" DIAMETER.

PLANTING HOLE AND BED CULTIVATION
 LOOSEN ALL ISOLATED TREE PLANTING LOCATIONS AND PLANTING BEDS TO A MINIMUM DEPTH OF 12". SOIL AMENDMENTS SHALL BE APPLIED DURING CULTIVATION.

COMPOST
 M/DOT 3890

FERTILIZER
 M/DOT 3881

BAGFILL SOIL
 REMOVE ALL DEBRIS INCLUDING ROCKS LARGER THAN 3" DIAMETER.

PLANTING HOLE AND BED CULTIVATION
 LOOSEN ALL ISOLATED TREE PLANTING LOCATIONS AND PLANTING BEDS TO A MINIMUM DEPTH OF 12". SOIL AMENDMENTS SHALL BE APPLIED DURING CULTIVATION.

COMPOST
 M/DOT 3890

FERTILIZER
 M/DOT 3881

BAGFILL SOIL
 REMOVE ALL DEBRIS INCLUDING ROCKS LARGER THAN 3" DIAMETER.

PLANTING HOLE AND BED CULTIVATION
 LOOSEN ALL ISOLATED TREE PLANTING LOCATIONS AND PLANTING BEDS TO A MINIMUM DEPTH OF 12". SOIL AMENDMENTS SHALL BE APPLIED DURING CULTIVATION.

MILCH MATERIAL	PLANTING PLAN	PLANT TYPE	AVERAGE AMOUNT OF WATER PER APPLICATION IN GALLONS
MASS PLANTING	MASS PLANTING	MACHINE TRANSPANTED TREES	50 - 100
TREE PLANTING	TREE PLANTING	BARE ROOT TREES	15
		BALLED & BURLAPPED SHRUBS	10
		BARE ROOT OR CONTAINER SHRUBS	7
		WOODY SEEDLINGS	4
		PERENNIALS AND VINES	3



REvised: 1-10

FILE NAME: G:\ENG\SPCS\5311

ENGINEERING DEPARTMENT

PLATE: 5311

PLANTING DETAIL